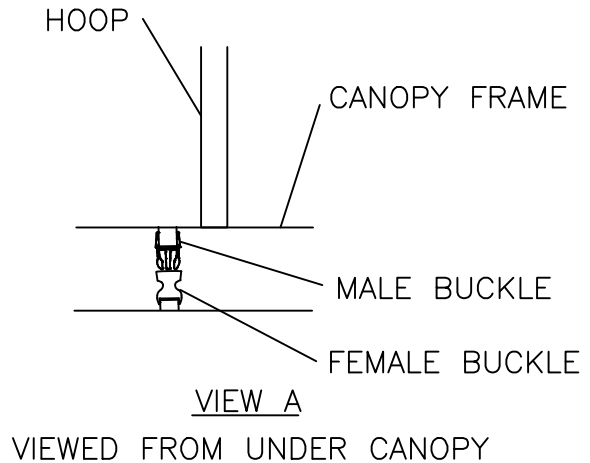


# INSTALLATION INSTRUCTIONS

- A) A canopy cover and curtain may be a hazard if exposed to high wind! **DO NOT** attach curtain to canopy frame if wind affects your ability to safely fasten. **DO NOT** leave canopy cover and curtain unattended on frame when attaching.
- B) Unroll the curtain. Make sure the fabric is straight along the frame and the PVC Pockets are oriented so they will be on the inside or boat side of the curtain. The curtain is attached to the frame using the following method:

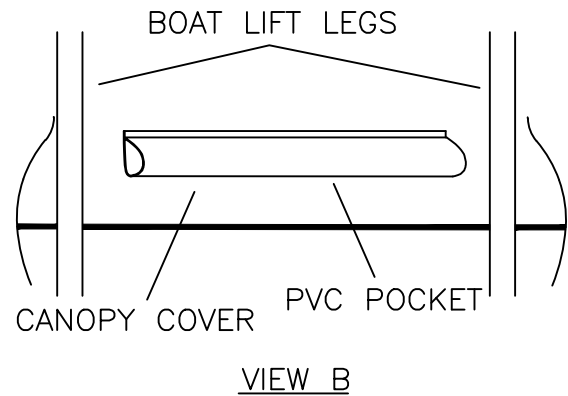
For canopies that have side pockets or grommet straps, loosen the side pocket/strap of the canopy. When mounting the curtain, the female buckle wraps around the bottom of the canopy frame while the male buckle slides around the outside of the frame (thru the slot in the side strap, if present) and wraps around the top of the canopy frame. Then fasten. See View A. (NOTE: if the canopy is not a current standard Rush-Co canopy, a slit will have to be made in the side strap near the frame to allow the male buckle to wrap around the frame, see View C.)



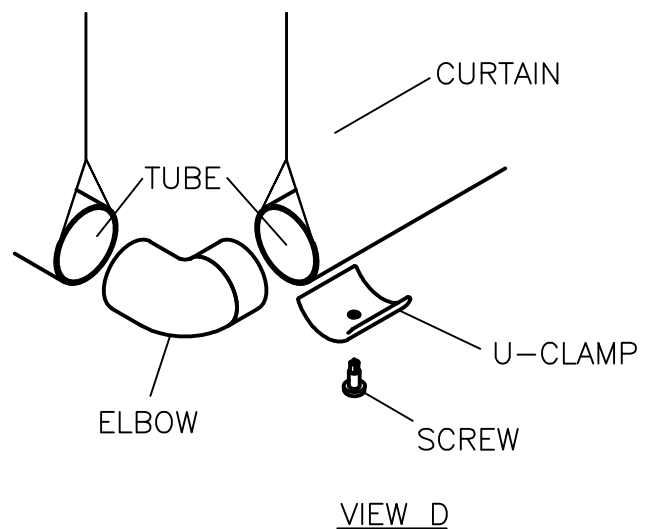
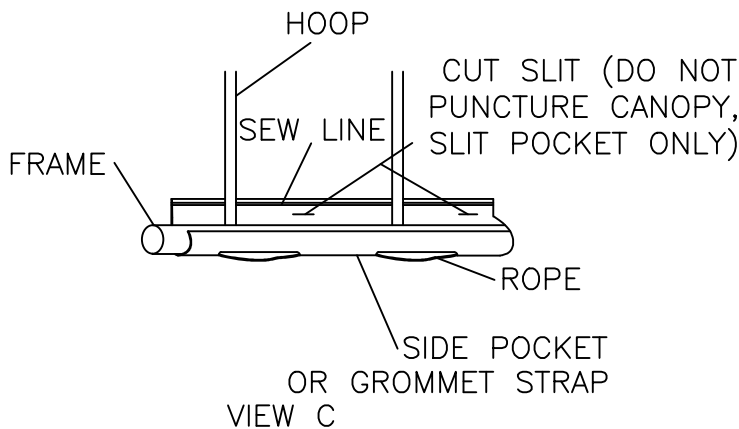
- C) PVC pockets are provided on the curtain. PVC tubing/pipe is used to extend the life, durability and function of the curtain. PVC tubing/pipe is not provided. See View B.

OPTION 1: U-clamps and self tapping screws are provided to secure the PVC tubing/pipe in place, 1 on each end and 1 centered as shown in View D.

OPTION 2: To prevent wind whip and curtains blowing onto the dock, you may secure curtain corners that are not used for opening with elbows. See View D.



- D) Severe or strong winds can pick up a boat, lift, canopy cover and curtain. This could cause damage to equipment and injury to anyone in its path. Position your boat up within canopy frame to provide protection and reduce chance of severe winds circulating inside frame.
- E) **DO NOT** leave canopies on canopy frame unless boat lift is firmly in place. Lift must be secured per manufacturer's instructions.



**ALWAYS REMOVE CANOPY COVER AND CURTAIN DURING THE OFF SEASON  
SEE INSIDE OF CURTAIN FOR CARE & MAINTENANCE INSTRUCTIONS**